

PowerView™ Model PV450



Features

- Compact CAN-Based Display to Fit Your Application With Freely Configurable Design
- Easy-to-Use PowerVision Configuration Studio™ Software
- Direct Sunlight Viewable
- Rugged Design for Extreme Environments
- Optional - Approved for Class I, Division 2, Groups B, C and D; Temperature Code T4

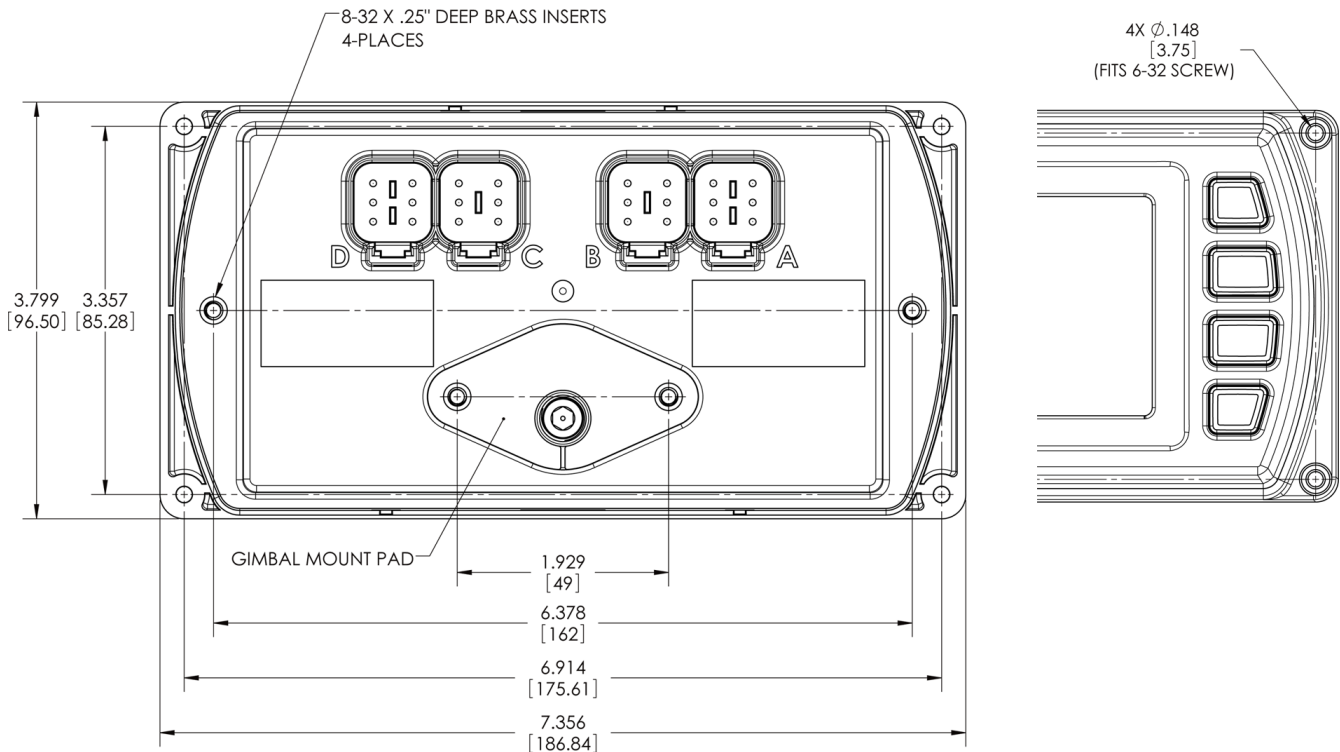
The PowerView 450 display features a freely configurable design, allowing custom software to be quickly developed.

The display is compatible with PowerVision Configuration Studio software, so you can make quick and easy changes to the display.

In addition, the display is highly durable. It features a full-color, robust 4.3" bonded LCD for best in class sunlight readability. The PV450's bonded LCD and rugged design make it a great solution for all types of environments and applications.

See the specifications on the back of this sheet for a complete overview of its technical features.

Dimensions



General Specifications

Technical

Display: Bonded 4.3" color transmissive TFT LCD

Resolution: WQVGA, 480 x 272 pixels, 16-bit color

Aspect Ratio: 16:9

Orientation: Landscape or portrait

Backlighting: LED, 500-650 cd/m² (30,000 hr lifetime)

Microprocessor: Freescale i.MX357 32bit, 532Mhz

QNX Real-Time Operating System

Flash Memory: 256 MB

RAM: 128 Mbytes DDR2 SDRAM

Operating Voltage: 6-32 VDC, protected against reverse polarity and load-dump (CSA, 6-30 VDC)

Power Consumption: 10W max. (CSA, 163 mA max @ 30VDC)

CAN: (2) CAN 2.0B; optional NMEA 2000 isolation, isolation with HVS450

Protocols: J1939, NMEA 2000, CANopen

RS-485: (1) MODBUS Master/Slave

Video input (Optional): (2) NTSC/PAL input channels with one displayed at a time.

Connection: (4) Deutsch DT 6-pin connectors

Keyboard: (8) tactile buttons with white LED backlight

USB 2.0 host, full speed

Output: (1) Open-drain, capable of sinking 500 mA

Input: (1) Resistive, 0-5 V, or 4-20 mA (software configurable) (10-bit resolution)

Clock: Real-time clock with built-in rechargeable Li-ion battery backup (0.033 mWh)

Environmental

Operating Temperature: -40°C to +85°C

Storage Temperature: -40°C to +85°C

Protection: IP 66 and 67, front and back.

Electromagnetic Compatibility:

2004/108/EC

EN 61000-6-4

EN 501121-3-2

EN 61000-6-2 (immunity)

EN 12895

J1113/2, 4, 11, 12, 21, 24, 26 and 41

Vibration: Random vibration, 7.86 Grms (5-2000 Hz), 3 axis

Shock: ± 50G in 3 axis


Specifications applicable to CSA-certified PV450 only

(CSA Certification: Class I Division 2 Groups B, C, & D; T4; IP66)

CAN: (2) CAN 2.0B (transmission rates up to 1Mbps)

Protocols: J1939 and CANopen

Environmental Protection: IP 66 and 67

How to Order		
Part No.	Model	Description
78-70-0436	PV450	PV450
78-70-0538	PV450, J1939,NMEA, with Video	PV450 with Video
78-70-0515	PV450, with Video	PV450 with Video
	Certified PV450 (Class I Division 2 Groups B, C and D; Temperature Code T4; IP66)	
78-70-0543	PV450-01-CSA	PV450 with Video (cCSAus)
78-70-0544	PV450NV-01-CSA	PV450 (cCSAus)
Accessories		
78-00-0831	Visor Kit, PV450	PV450 Visor Kit
78-00-0814	Mounting Plug Kit, PV450	PV450/PV750 Mounting Plug Kit